

Part of the
Whitesales Group



www.rynogroup.co.uk 01358 726000

Complete surface
solutions for terraces,
balconies and
podiums.

RYNO  AluTerrace™

RYNO  TerraceDeck™

RYNO  TerracePave™



**FEATURING IGNO®
EUROCLASS A
FIRE RATED PRODUCTS**



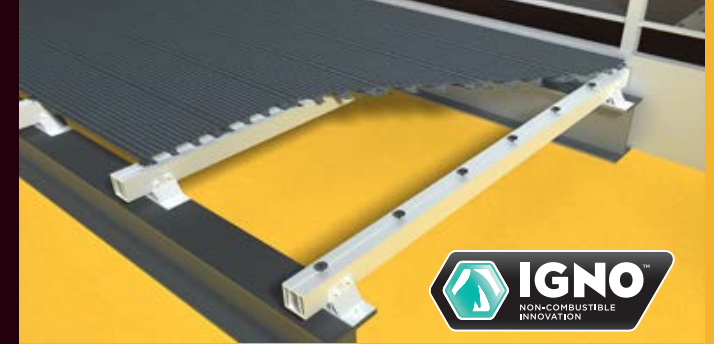
GROUND-BREAKING FINISHING SYSTEMS

Ryno is an innovative company, bringing ground-breaking finishing solutions to the construction sector. Every product within the Ryno family is designed to make life easier, safer and better for you.

Not only do we help you meet day-to-day challenges, but we're always looking ahead to develop breakthrough products that revolutionise the industry.

As long as there are challenges out there, Ryno will meet them head-on, with clever solutions that you'll love.

Any questions?
Give us a call on **01358 726000**
or email us at sales@rynogroup.co.uk

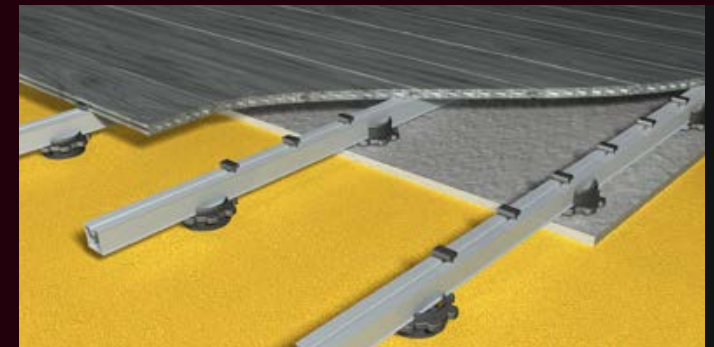


RYNO AluTerrace™

Non-combustible decking systems for terraces, balconies and roof decks.

PAGE 4

RYNO AluTerrace™



RYNO TerraceDeck™

Complete composite decking systems, for truly beautiful outdoor spaces.

PAGE 10

RYNO TerraceDeck™



RYNO TerracePave™

Non-combustible paving system for creating strong and safe paved terraces and balconies.

PAGE 26

RYNO TerracePave™

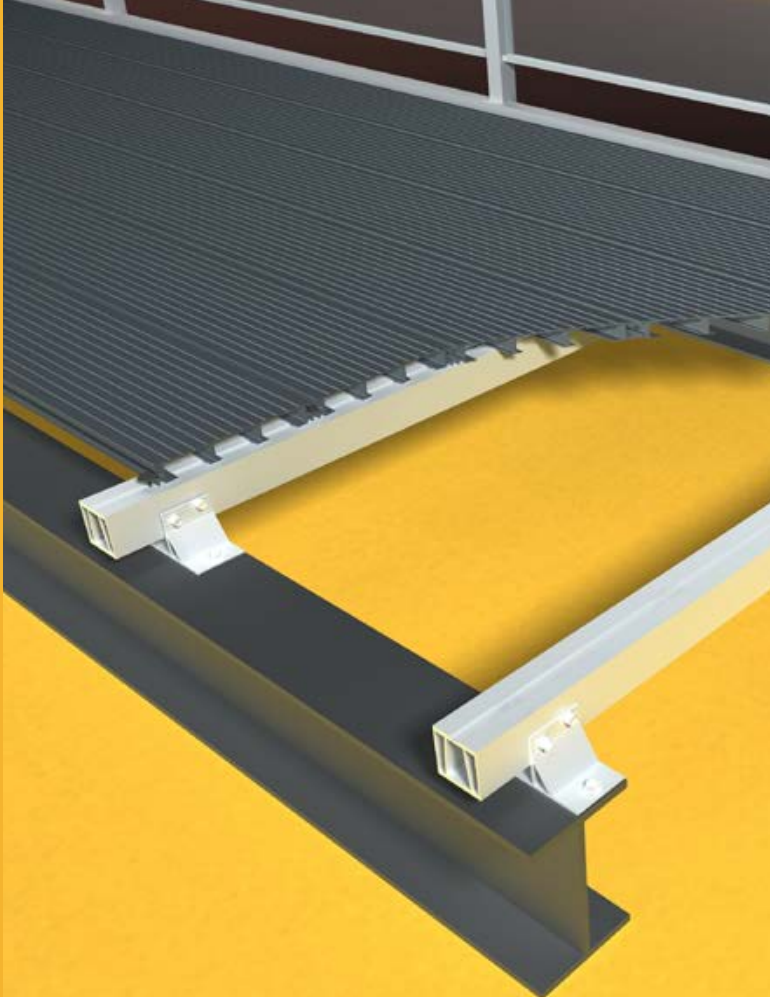


RYNO AluTerrace™

Aluminium Decking System for Balconies

Fully non-combustible aluminium decking system designed to be attached to projecting/cantilever or bolt-on balconies.

Attaches directly to balcony frame, removing need for steel joists.



Designed for balconies.

An innovative decking system which achieves a Euroclass A1/A2 fire rating.

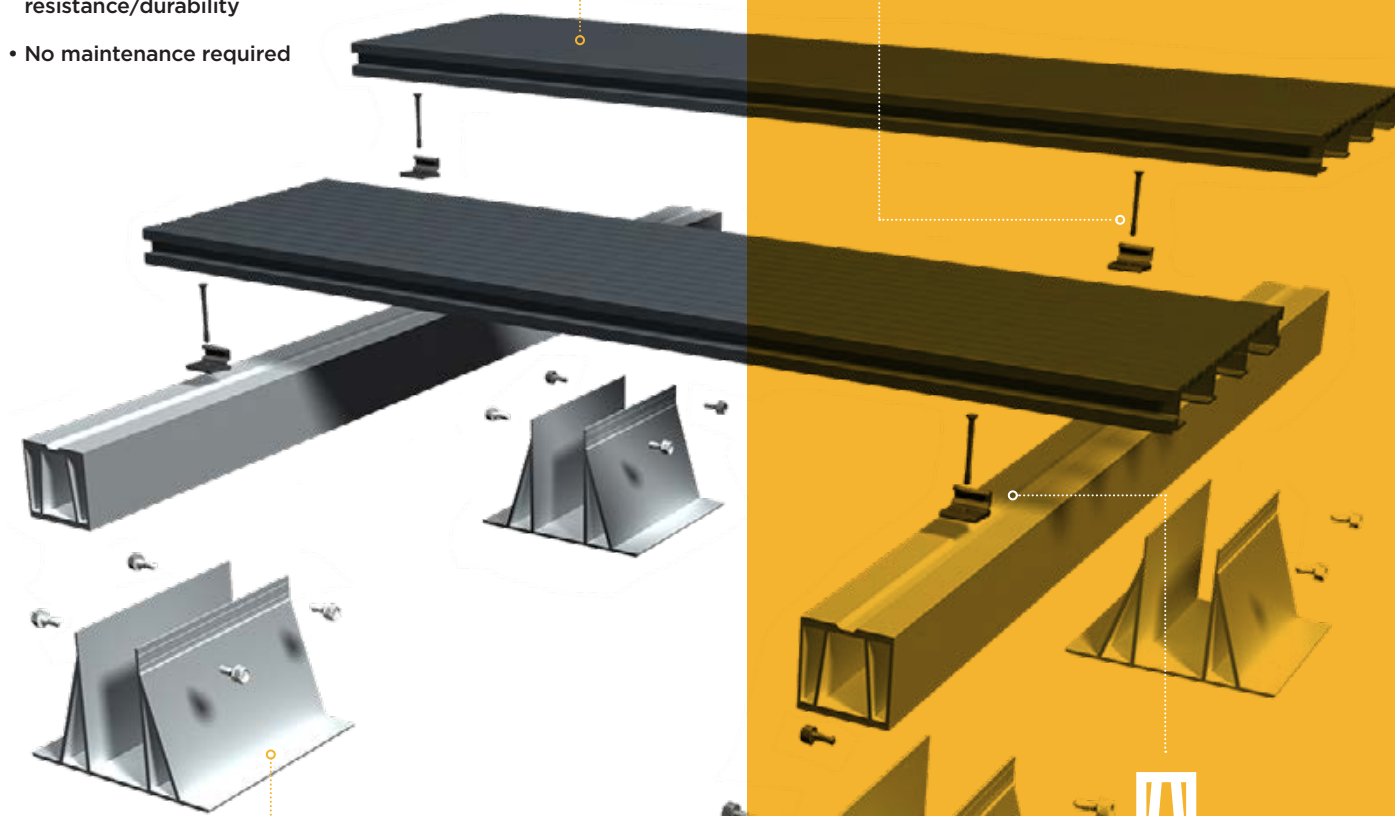
- Different size options available, capable of achieving height build-up from 53mm to 200mm
- Suitable for off-site assembly with slide-on balconies
- 30 year warranty, 60 year design life
- Designed and manufactured in the UK entirely from aluminium



ADB Aluminium deck board

Premium quality aluminium deck board engineered to offer unbeatable strength.

- Two deck board profiles available to suit differing span requirements
- Power-coated in any standard RAL colour (RAL 7016 as standard)
- High quality board, will not dent easily
- Interpon D1036 Textura coating ensures scratch resistance/durability
- No maintenance required



ADC Aluminium support cleat

Four sizes of cleat available for different applications.

- Four size options available
- Height adjustable to cater for falls or to meet door thresholds
- Large flat base spreads weight evenly, protecting surface/membrane



ADS Aluminium support joist

The ultimate complement to deck boards, aluminium joists provide huge strength-to-size ratio.

- Three joist depths available to suit different applications
- Huge joist span capability
- Will not warp, twist or crack
- Available in mill finish or powder-coated



Hidden fixing system

Comprised of snap-on AluClip™ (patent pending) and screw. Fixes boards via clamp mechanism, allowing thermal expansion/contraction of boards.

- Creates a 7mm standard gap between board for efficient drainage
- Black powder-coated, invisible between boards

AluClip™ Rapid Fixing Method:



1 Clip onto side of board and snap into place by pressing on edge

2 Slide next board until it touches edge of clips (creates 7mm gap)

3 Fix in place using 30mm Decking Screws as shown

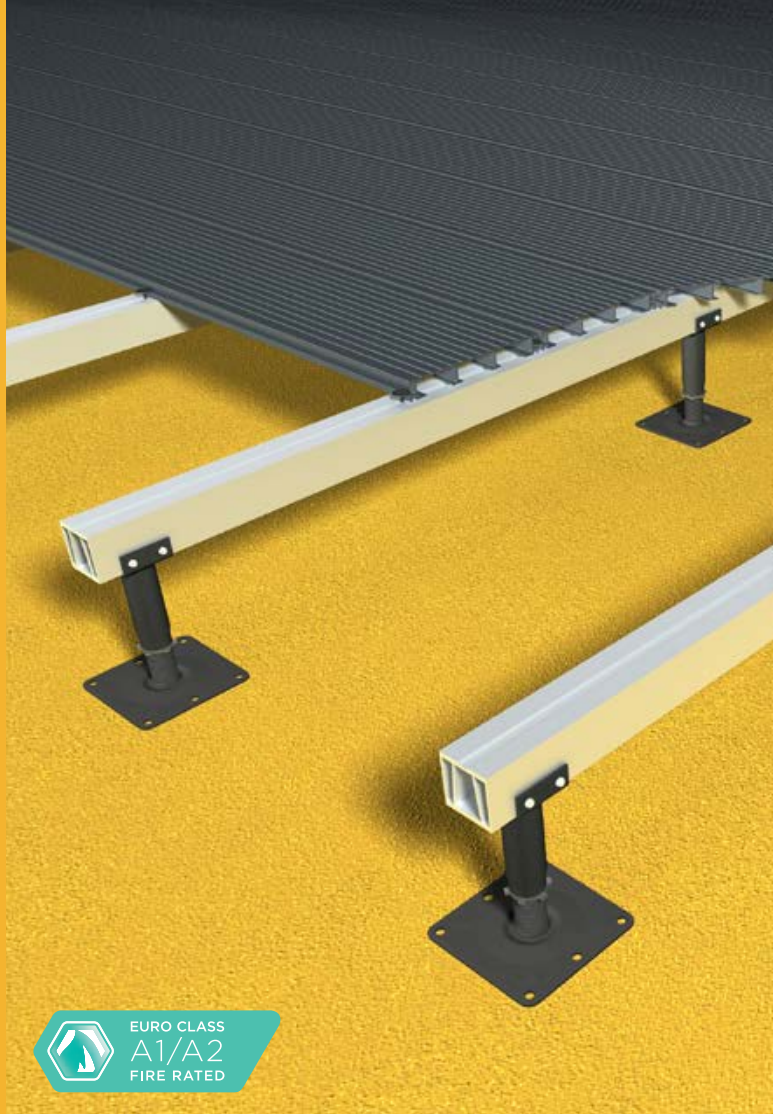
4 Clamp mechanism allows for natural expansion/contraction of metal



RYNO AluTerrace™

Adjustable Aluminium Decking System for Terraces

Fully non-combustible aluminium decking system designed specifically for terraces and inset balconies.



Unsurpassed safety.

A simple and sturdy system which ensures rapid installation, regardless of project complexity.

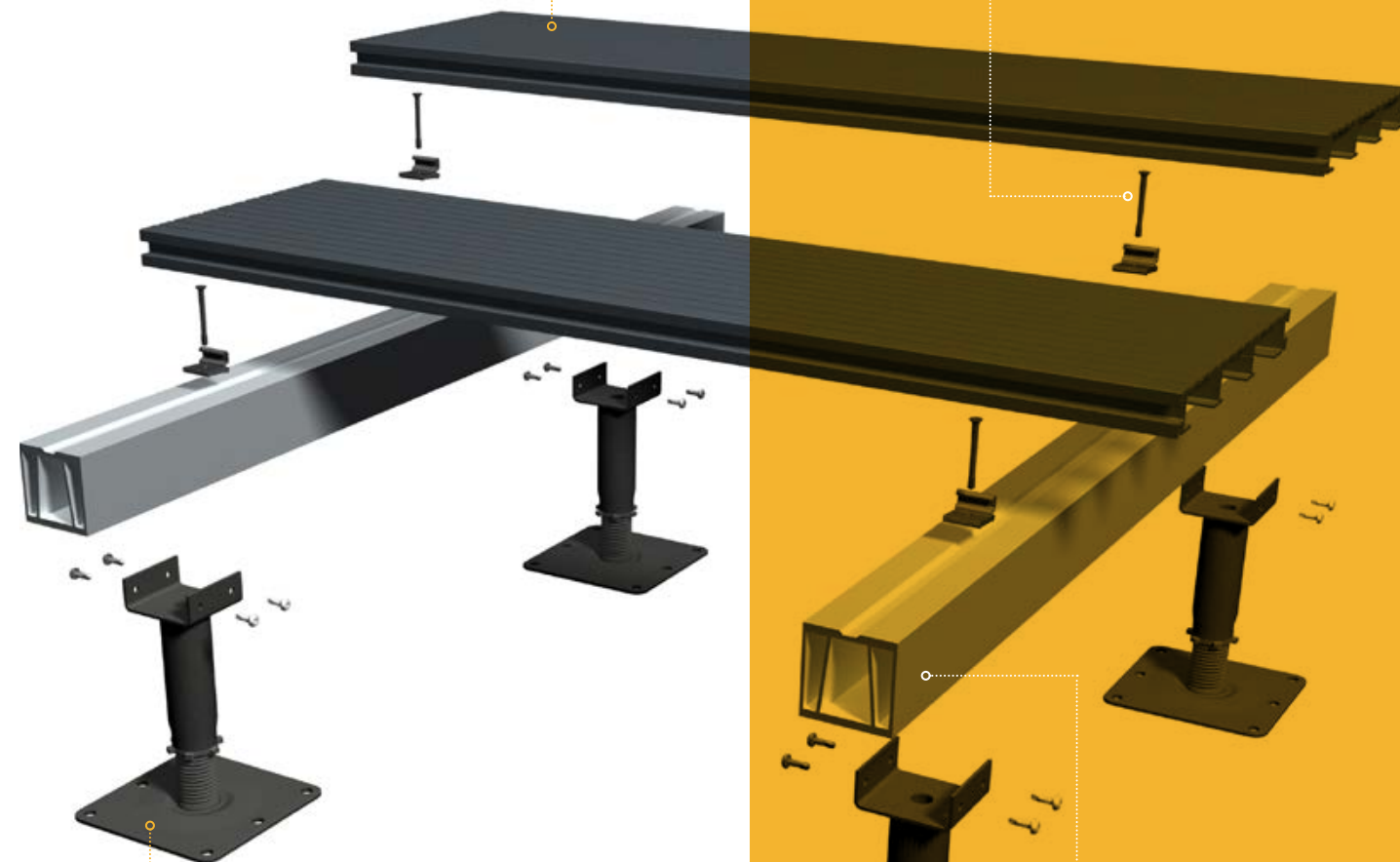
- Manufactured from corrosion resistant aluminium alloy 6063 and electroplated steel
- Huge compressive strength
- 30 year warranty, 60 year design life
- Designed and manufactured in the UK



ADB Aluminium deck board

Premium quality aluminium deck board engineered to offer unbeatable strength.

- Two deck board profiles available to suit differing span requirements
- Power-coated in any standard RAL colour (RAL 7016 as standard)
- High quality board, will not dent easily
- Interpon D1036 Textura coating ensures scratch resistance/durability
- No maintenance required



RD-FR Non-combustible support pedestal

Extremely strong support for joists, pedestals are fast and simple to install.

- Large height range available for every application
- Astec 3000 zinc-nickel electroplating protects pedestals from corrosion resistance
- Features locking ring for absolute stability
- Large flat base spreads weight evenly, protecting surface/membrane



Hidden fixing system

Comprised of snap-on AluClip™ (patent pending) and screw. Fixes boards via clamp mechanism, allowing thermal expansion/contraction of boards.

- Creates a 7mm standard gap between board for efficient drainage
- Black powder-coated, invisible between boards



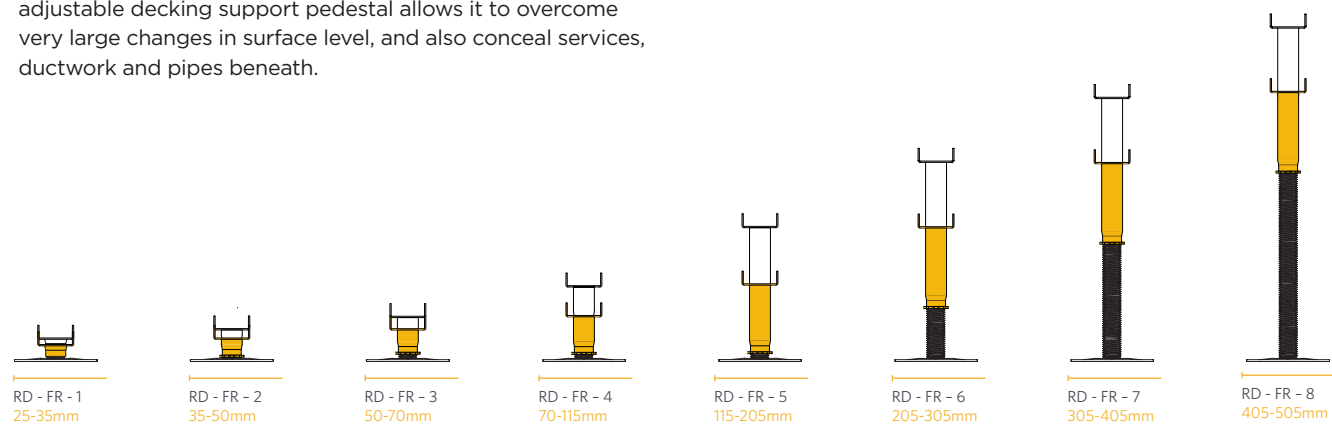
ADS Aluminium support joist

The ultimate complement to deck boards, aluminum joists provide huge strength-to-size ratio.

- Three joist depths available for suit different applications
- Huge joist span capability
- Will not warp, twist or crack
- Available in mill finish or powder-coated

Pedestal size range

The vast height range of the RynoDeckSupport RD-FR adjustable decking support pedestal allows it to overcome very large changes in surface level, and also conceal services, ductwork and pipes beneath.



Fixings and finishings



RynoAluTerrace component quantity calculations

For help calculating the quantity of RynoAluTerrace components you require or for any other guidance regarding your project, call Ryno on:

01358 726000



Technical Specifications

Allowable load

Uniformly distributed >4.0kN/m²
Concentrated 2kN

Biological/chemical

Resistant to moulds, algae, alkali, bitumen, UV

Board coating

Powder-coated RAL 7016 as standard, available in any RAL colour

Reaction to fire (EN ISO 13501-1:2018)

A2_{fl} - s1 and A2-s1 d0

Scratch resistance (Furniture Leg Test)

No damage identified. Very slight transfer of brass with 100kg applied mass (board finish unaffected)

Slip resistance (Pendulum Test)

PTV (Worst dry) 59, PTV (Worst wet) 43

Wear resistance (Footfall Report)

No wear identified Very slight sole marking at 50,000 footfalls (board finish unaffected)

With demand for space in cities continuing to soar, it becomes increasingly worthwhile to integrate terraces and roof decks into building plans.

RynoTerraceDeck™ complete decking systems provide an easy way to deliver beautiful terrace spaces with longevity: combining high performance composite decking and substructure.

Contact our sales team for support throughout your full project: from specification to installation.

Just tell us your height build-up to get started.



MicroTerrace™

47-72mm height build-up
The lowest-height decking solution on the market.

PAGE 12



MidiTerrace™

70-103mm height build-up
The ideal system for most terraces, podiums and roof decks.

PAGE 14



UltraTerrace™

104-1097mm height build-up
All of our high-spec products combined, creating a system with unparalleled strength.

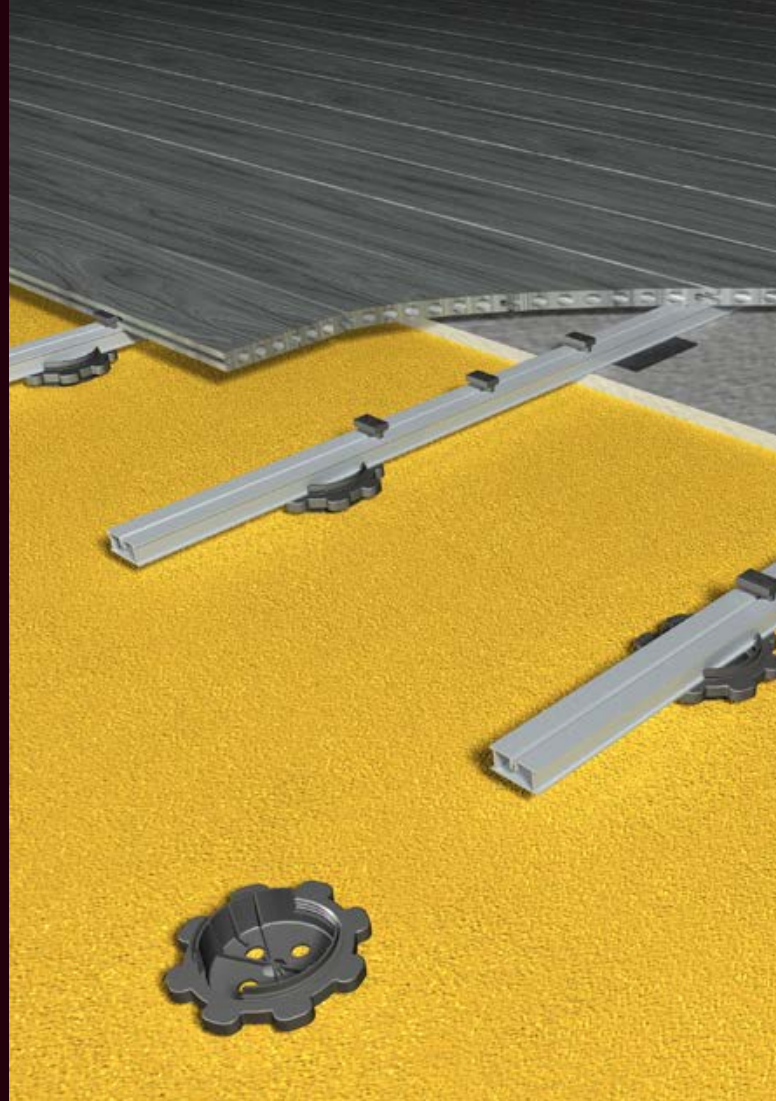
PAGE 16



MicroTerrace™

47-72mm height build-up

The lowest terrace system on the market, we created MicroTerrace™ to stop surface height restrictions causing compromises when it comes to creating beautiful spaces.



Minimal build-up with maximum strength.

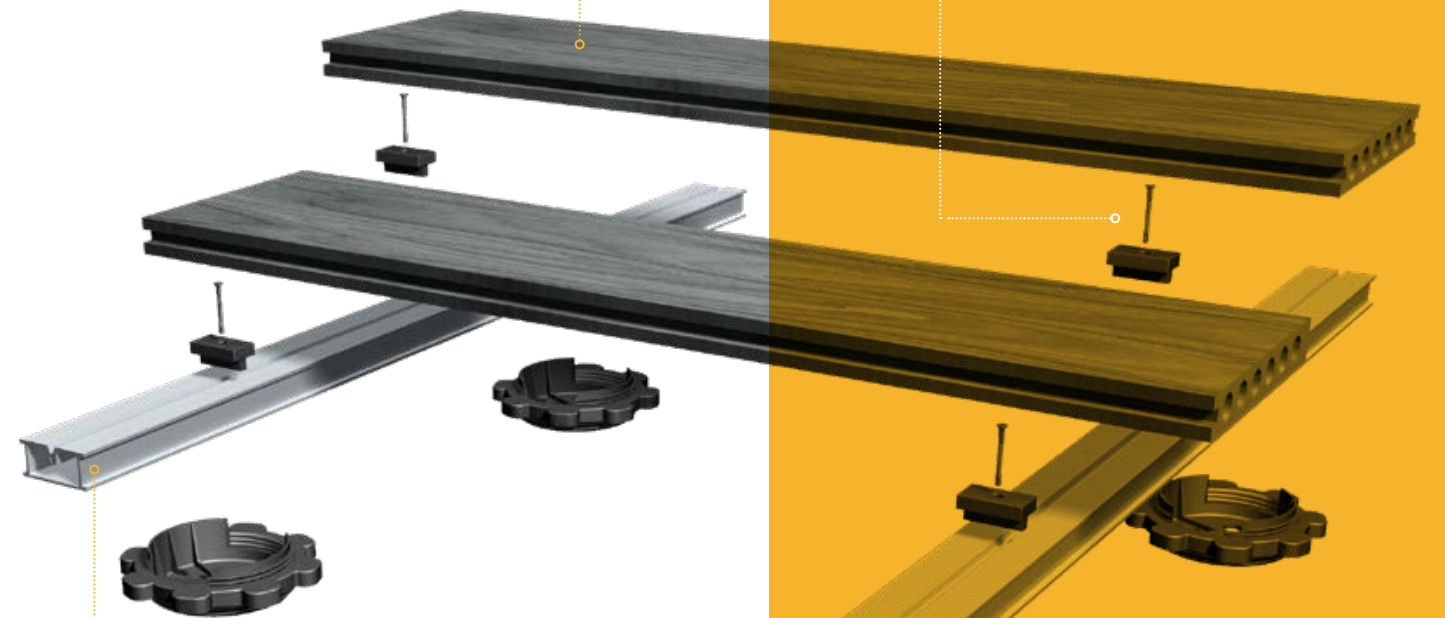
- Ideal for areas with low door thresholds
- Simple design allows rapid installation
- Long-lasting and durable system



Composite deck boards

3 finishes and 8 distinctive colour choices available (see pages 18-19)

- Long-lasting: will not rot, warp or twist
- Non-slip and splinter-proof
- No need to treat or stain
- Manufactured from FSC® certified wood



DS22 aluminium decking joist

The lowest self-supporting joist on the market, Ryno 22mm aluminium joists have a greater strength-to-size ratio than traditional timber or composite joists, imposing less weight on supporting roof structures.

- Continuous fixing channel designed to offer optimum strength
- Will not warp, twist, splinter or crack
- Always completely straight, ensuring perfectly even decking
- Very simple connection methods make installation fast and simple
- Available in mill finish or black powder coated



Hidden fixings

Plastic T-clip and stainless steel screw make installation fast and simple, creating a 6mm gap between deck boards.



RDC10-25 adjustable joist cradle

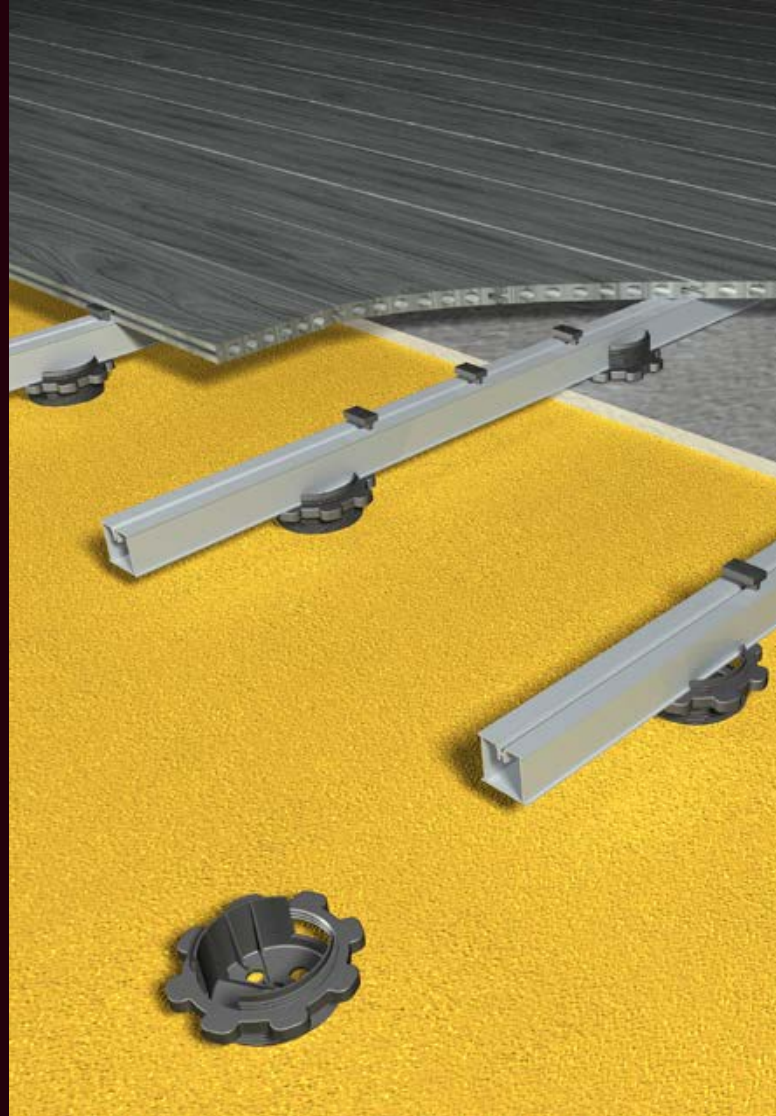
The lowest ever Ryno joist cradle, designed especially for very low-height applications.

- Height can be built to 25mm, easily accommodating small height variances
- Easy grip ring allows millimeter perfect adjustment
- Height-adjustable even after joist has been moved into place
- For even lower applications replace with Rubber Support Pad (min 3mm)

MidiTerrace™

70-103mm height build-up

The 10-40mm adjustable cradle is the foundation of MidiTerrace™ and helps create a system which is equally strong and simple to use.



Ideal for most applications.

Favoured by architects, specifiers and installers alike, MidiTerrace is an excellent all-rounder.

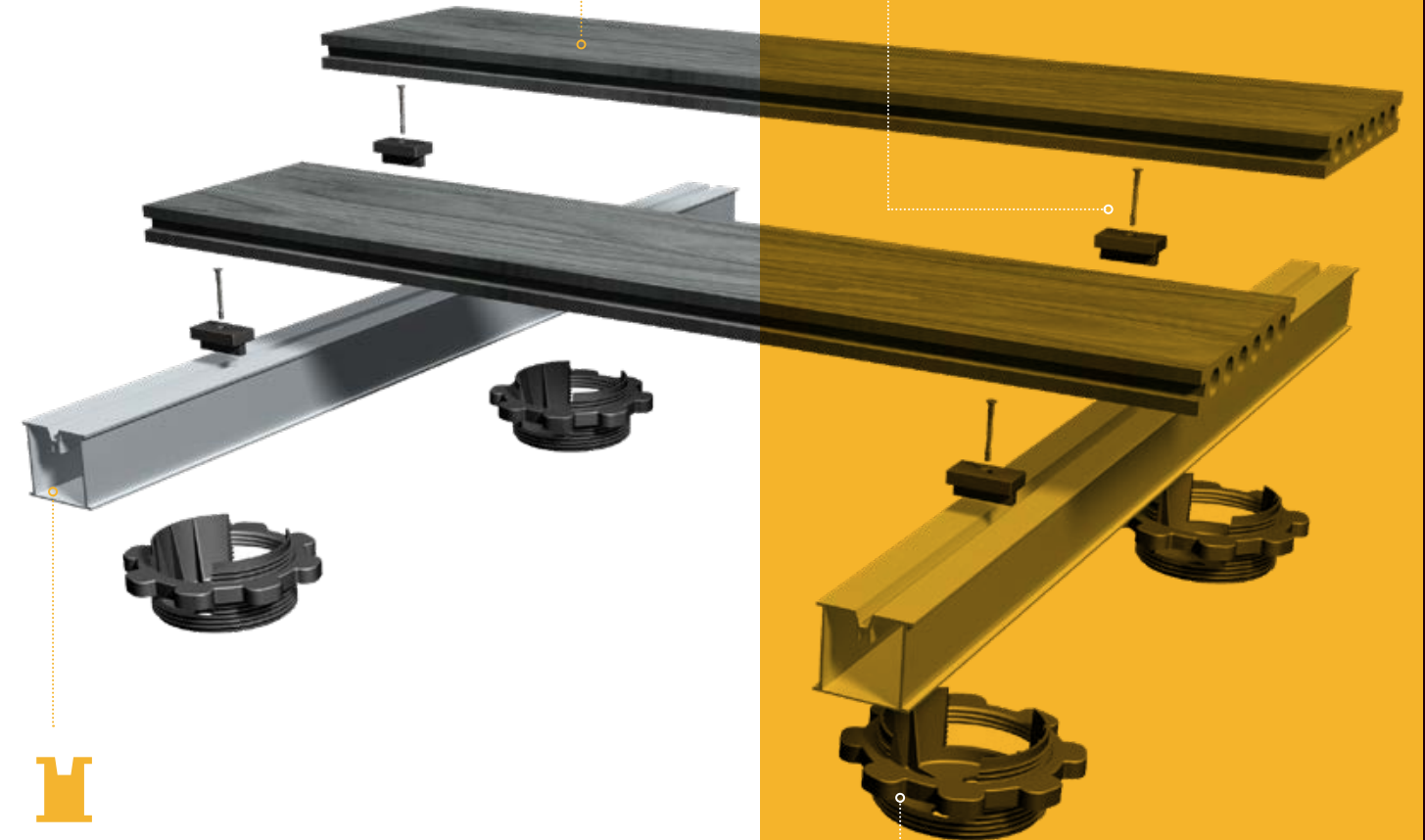
- An economical solution
- Perfect for podiums, terraces and roofs
- Simple design, rapid installation
- Easily adjusted post-install



Composite deck boards

3 finishes and 8 distinctive colour choices available (see pages 18-19)

- Long-lasting: will not rot, warp or twist
- Non-slip and splinter-proof
- No need to treat or stain
- Manufactured from FSC® certified wood



DS38 aluminium decking Joist

Ryno 38mm aluminium decking joist is super-light, with a greater strength-to-size ratio than both timber and composite joists.

- Continuous fixing channel designed to offer optimum strength
- Will not warp, twist, splinter or crack
- Always completely straight, ensuring perfectly even decking
- Very simple connection methods make installation fast and simple
- Available in mill finish or black powder coated



Hidden fixings

Plastic T-clip and stainless steel screw make installation fast and simple, creating a 6mm gap between deck boards.



RDC10-40 adjustable joist cradle

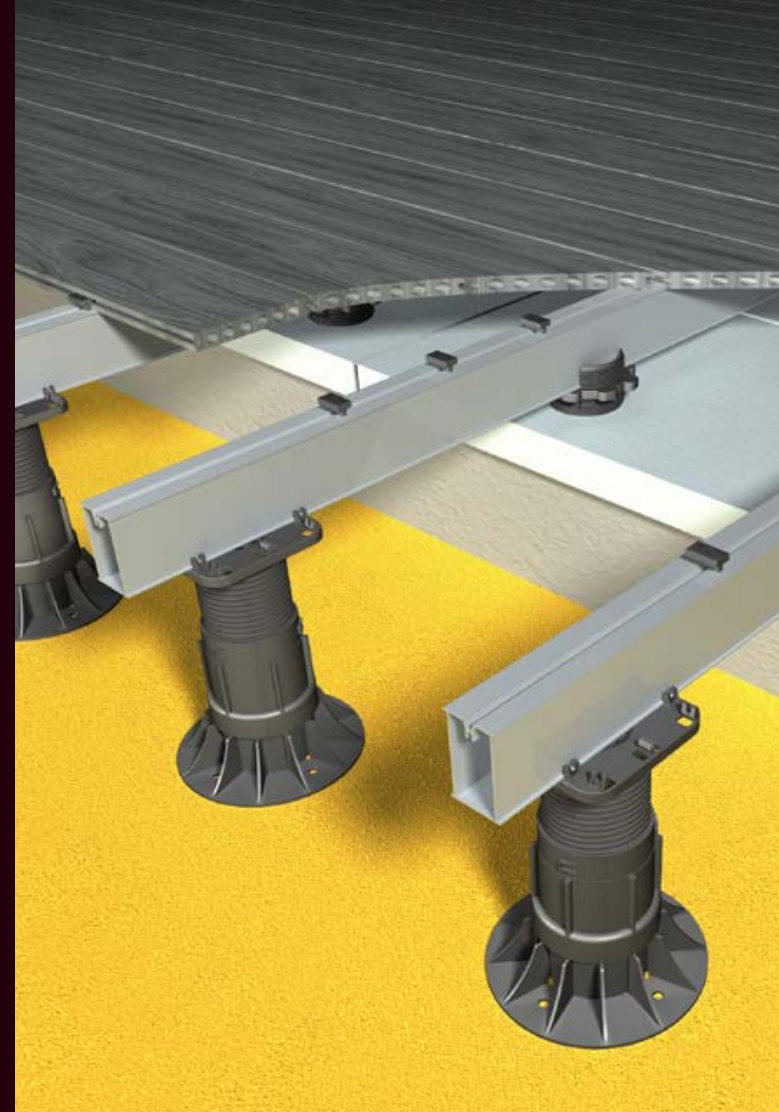
A simple-to-use support option with easy-grip ring which allows millimeter-perfect adjustment.

- Offers joist support with infinite adjustment between 10-40mm
- Easy grip ring allows millimeter perfect adjustment
- Height-adjustable even after joist has been moved into place
- Creates a clear space beneath joists, improving air circulation and preventing rot

UltraTerrace™

104-1097mm height build-up

UltraTerrace™ is simply put, the ultimate decking solution, combining the highest-spec, market-leading Ryno products.



Unparalleled strength.

Impressive self-levelling pedestal and impressive height range will accommodate even the most complex issues - including sloping areas, drainage and maintenance access.

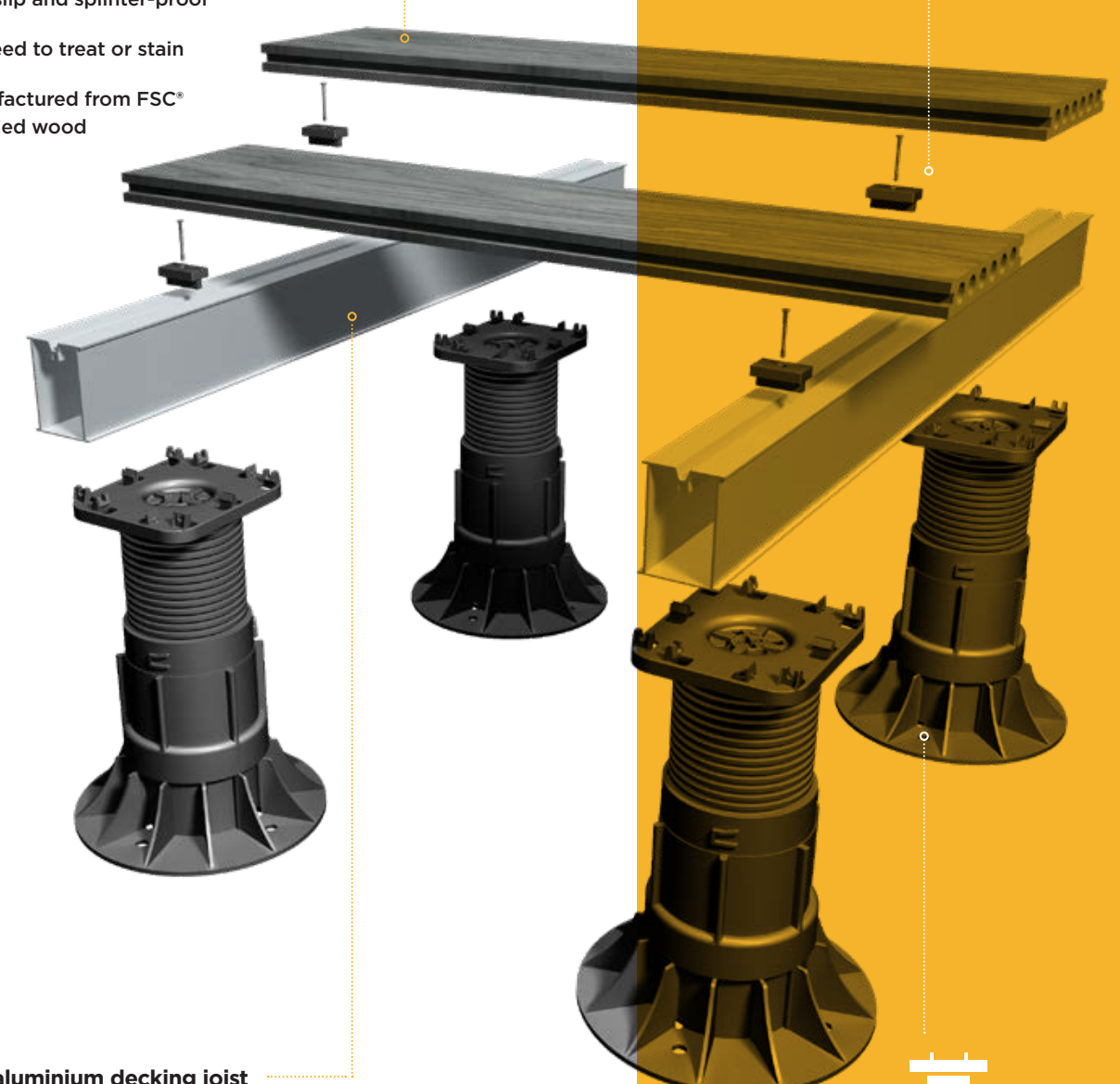
- Simple design makes creation of complex decking areas very straight-forward
- Self-levelling pedestal accommodates large variances in surface height and slopes of up to 10.5%
- Unparalleled strength



Composite deck boards

With 3 finishes and 8 distinctive colour choices available,

- Long-lasting: will not rot, warp or twist
- Non-slip and splinter-proof
- No need to treat or stain
- Manufactured from FSC® certified wood



Hidden fixings

Plastic T-clip and stainless steel crew make installation fast and simple, creating a 6mm gap between deck boards.



DS72 aluminium decking joist

The strongest of all Ryno aluminium joists, DS72 aluminium joist is ideal for applications with greater height build-up requirements. Joists span 1200mm between pedestals, meaning less pedestals are required and speeding up install.

- Greater strength-to-size ratio than timber or composite joists
- Continuous fixing channel designed to offer optimum strength
- Always completely straight, ensuring perfectly even decking
- Will not warp, twist, splinter or crack
- Available in mill finish or black powder coated



RDAC 'clip-on' self-levelling adjustable pedestal

Unrivaled in its field, the Ryno self-levelling adjustable pedestal offers the highest compressive strength of any pedestal system on the market.



- Joists simply 'click' into place
- Easily accommodates sloping areas of up to 10.5%
- Allows millimeter perfect adjustment
- Wide supporting base evenly spreads load, protecting membranes

Signature™ Range

Premium wood-grain effect composite decking boards.

- Textured wood-grain, for the look of wood without the downsides of timber
- Engineered with plastic cap for maximum possible durability
- Protected from warping, twisting, fading and staining
- Low-maintenance, non-slip and splinter proof

Deck boards

Board dimensions 142mm x 22mm x 3m



Teak



Mahogany



Silver Birch



Ebony

Fixings and finishings



30mm Decking Screw

For fixing decking to aluminium joist with t-clips



19mm screw

For starter/end clip



35mm Timber Screw

For fixing decking to timber joist with t-clips



Starter/End Clip

For fixing down decking at start and finish of decking areas



Plastic T-Clip

Hidden clip for fixing down decking to joists

Stainless Steel



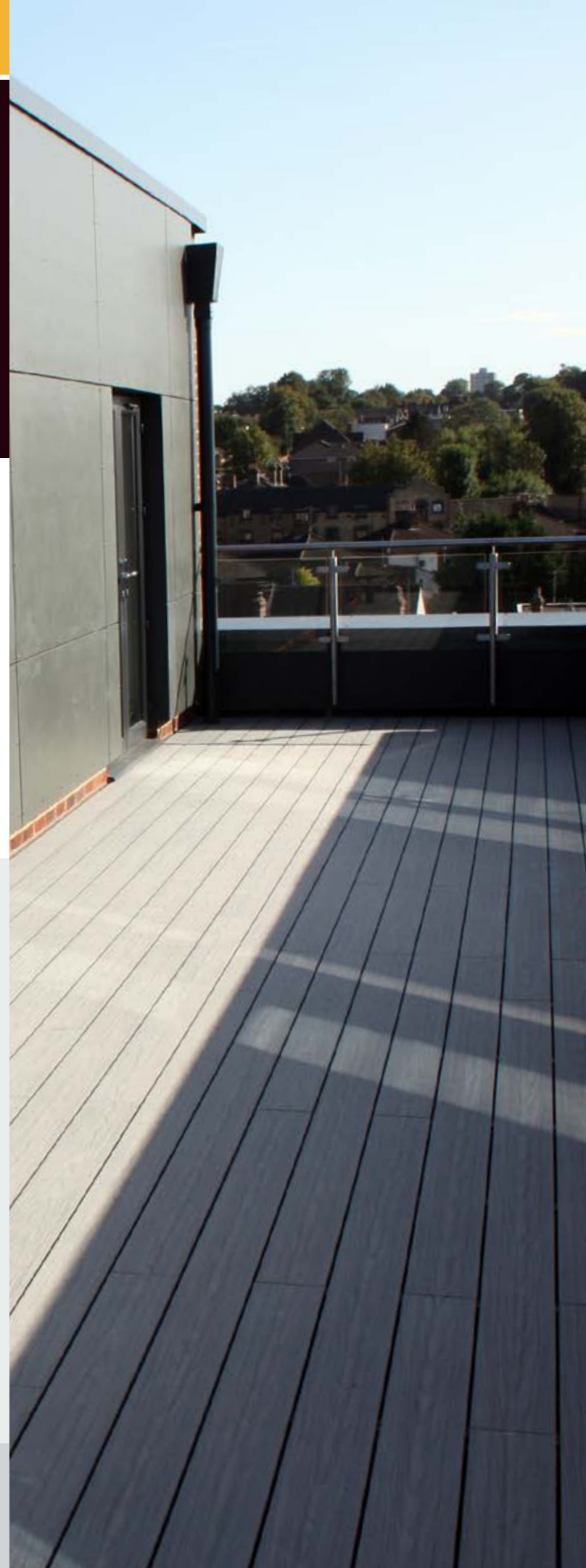
Bullnose board

For neat finishing at edge of deck areas and step treads.



Edge profile

Alternative way of capping off board ends/step treads.



Technical Specifications

Coefficient of linear thermal expansion (1/C°)
(ASTM D696-08)

-30°C-30°C: 33.12x10⁻⁶

Density (ASTM D792-13 Method B)

1.19g/cm³

Flexural modulus (ASTM S790-10 Procedure A)

3510 MPa

Flexural strength (ASTM D790-10 Procedure A)

34.5 MPa

Reaction to fire (EN ISO 13501-1:2018)

C_{fi} - s1

Slip resistance (Pendulum Test)

PTV (Worst dry): 46, PTV (Worst wet): 36

Tensile strength (ASTM D638-14)

24.9 MPa

Water absorption (ASTM D570-98 2010)

0.63%

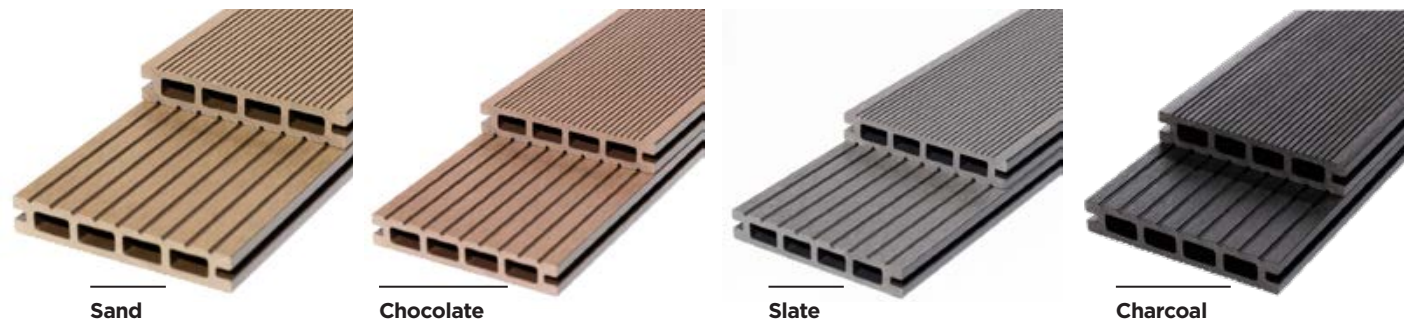
Classic™ Range

Contemporary grooved composite decking boards

- Ridged, for the quintessential composite look
- Reversible boards, with 2 groove-spacing options
- Low-maintenance, non-slip and splinter proof

Deck boards

Board dimensions 150mm x 25mm x 3m



Fixings and finishings



38mm screw

For fixing decking to aluminium joist with t-clips



19mm screw

For starter/end clip



35mm timber screw

For fixing decking to timber joist with t-clips



Starter/End Clip

For fixing down decking at start and finish of decking areas



Plastic T-Clip

Hidden clip for fixing down decking to joists

Stainless Steel



Edge profile

Alternative way of capping off board ends/step treads.

Technical Specifications

Coefficient of linear thermal expansion (1/C°)
(ASTM D696-08)

-30°C-30°C:31.85x10⁻⁶

Density (ASTM D792-13 Method B)

1.33g/cm³

Flexural modulus (ASTM S790-10 Procedure A)

5240MPa

Flexural strength (ASTM D790-10 Procedure A)

40.4MPa

Reaction to fire (EN ISO 13501-1:2018)

C_{fl} - s1

Slip resistance (Pendulum Test)

Narrow Grooves	Wide Grooves
PTV (Worst dry): 49 PTV (Worst wet): 37	PTV (Worst dry): 50 PTV (Worst wet): 37

Tensile strength (ASTM D638-14)

25.5MPa

Water absorption (ASTM D570-98 2010)

1.15%

Aluminium Decking Joist

Super-strong and simple to handle, the ideal substructure material

- Non-combustible, achieving a Euro class A1 surface spread of flame to BS476: Part 5
- Will not warp, twist, splinter or crack
- Lighter than timber and composite joists, imposing less weight on supporting structures
- Available mill finished or powder coated to RAL 9005 (black) for total concealment

Joist profiles



DS22 Aluminium Joist
MicroTerrace™
Width: 48mm
Depth: 22mm



DS38 Aluminium Joist
MidiTerrace™
Width: 48mm
Depth: 38mm



DS72 Aluminium Joist
UltraTerrace™
Width: 48mm
Depth: 72mm



DS-PF
Perimeter/Fascia Profile
Fixes to side of joist to allow vertical fixing of boards where step/fascia detail is required.

Connections



DS-SC
Straight Joist Connector



DS-AC 90
Angle Joist Connector 90°



DS-AC 135
Adjustable Angle Joist Connector



DS-VC
Perimeter/Fascia Profile Bracket



DS-BB
Ballast Bracket



DS-GA
Ground Anchor

Available for 22, 38 and 72mm joist profiles



13mm screw
For joist connectors



Technical Specification

Finish

Mill finish or powdercoated to RAL 9005 (black)

Material

Aluminium Alloy 6063 T6

Reaction to fire (EN ISO 13501-1:2018)

A1 and A_{fl}

Supplied lengths

3.6m lengths supplied as standard, bespoke and pre-cut lengths available to special order

Deck Support

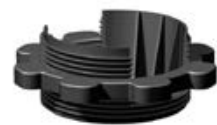
Our decking support systems allow quick, clean and easy deck building.

- Allow millimeter-perfect adjustment
- Laid loose: no need to fix to surfaces
- Ensure fast drainage which improves air circulation, further extending life of deck

Adjustable deck support cradle



RDC10-25
MicroTerrace™
DS22 aluminium joist
Height range: **10-25mm**



RDC10-40
MidiTerrace™
DS38 aluminium joist
Height range: **10-40mm**



RDC10-55
UltraTerrace™
DS72 aluminium joist
Height range: **10-55mm**

'Clip-on' self-levelling adjustable pedestal



RDAC
UltraTerrace™
Height range: 40-1000mm
Slope correction: up to 10.5%

RynoTerraceDeck component quantity calculations

For help calculating the quantity of RynoTerraceDeck deck boards and substructure you require or for any other guidance regarding your project, call Ryno on:

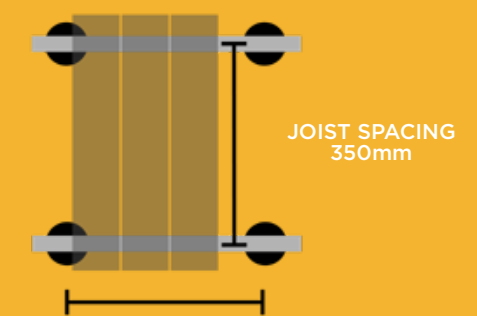
01358 726000



Technical Specifications

Cradles	Pedestals
Base diameter	
90mm	210mm/220mm
Biological/chemical	
Resistant to moulds, algae, alkali, bitumen, UV	Resistant to moulds, algae, alkali, bitumen, UV
Compression	
6kN/M ² (min. 6 cradles/m ²)	2100kg
Material	
Recycled Nylon (glass filled)	PP Polypropylene (recyclable)
Working temperature	
-30°C to 120°C	-40°C to 120°C

Spacing Guide



CRADLE/PEDESTAL SPACING	
MicroTerrace™	400mm
MidiTerrace™	600mm
UltraTerrace™	600mm (10-55 cradles) 1200mm (pedestals)



RYNO TerracePave™

Adjustable Paving System for Terraces

A fully non-combustible paving system designed to be installed onto terraces and inset balconies. Comprised of contemporary porcelain paving tiles and adjustable steel paving support pedestals.

Designed specifically for inset balconies, terraces and roofs.



Strong and safe.

With a simple but effective design, this system makes for a rapid and effortless paving installation.

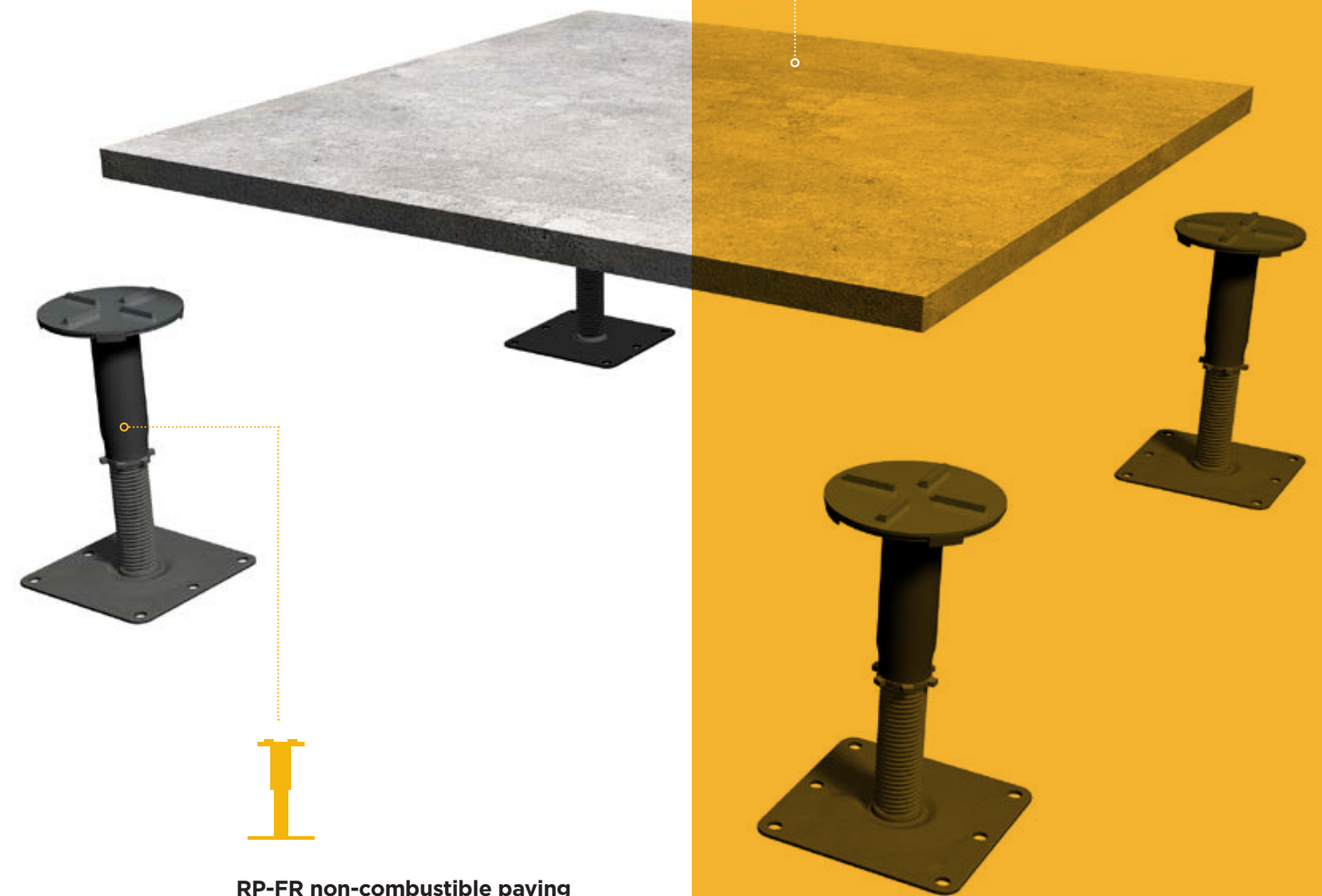
- Fast and straightforward to install
- Large height range available
- Achieves European Classification (Euroclass) A1 and A_{fl} fire rating
- Slip-proof, frost-proof and fade-proof



Porcelain tiles

With two ranges available (Quadro and Albero), there's a finish for every application.

- Anti-slip and frost-proof
- Non-porous material: protected from staining and fading
- Requires very little maintenance



RP-FR non-combustible paving support pedestal

Extremely strong support for joists, pedestals are fast and simple to install, with a locking ring for absolute stability.

- Large height range available for every application
- Astec 3000 zinc-nickel electroplating protects pedestals from corrosion resistance
- Shock-absorbent spacer gasket provides consistent nominal spacing between slabs
- Totally flat supporting base evenly spreads load, protecting surfaces and membranes



RYNO TerracePave™

PaveRail™ Paving System

The completely non-combustible version of our high-performance PaveRail™ system provides a completely rigid platform for paving slabs.

Super-strong aluminium joists overlap to create a lattice framework which gives the maximum possible level of support for our sleek porcelain.



Patent application GB1901875.3 (UK) PCT/EP2020/053350 (int)

The lattice framework of PaveRail™ allows for unlimited paving finishes and formats including: random-length, mixed width, stack bond, stretcher bond and plank paving.

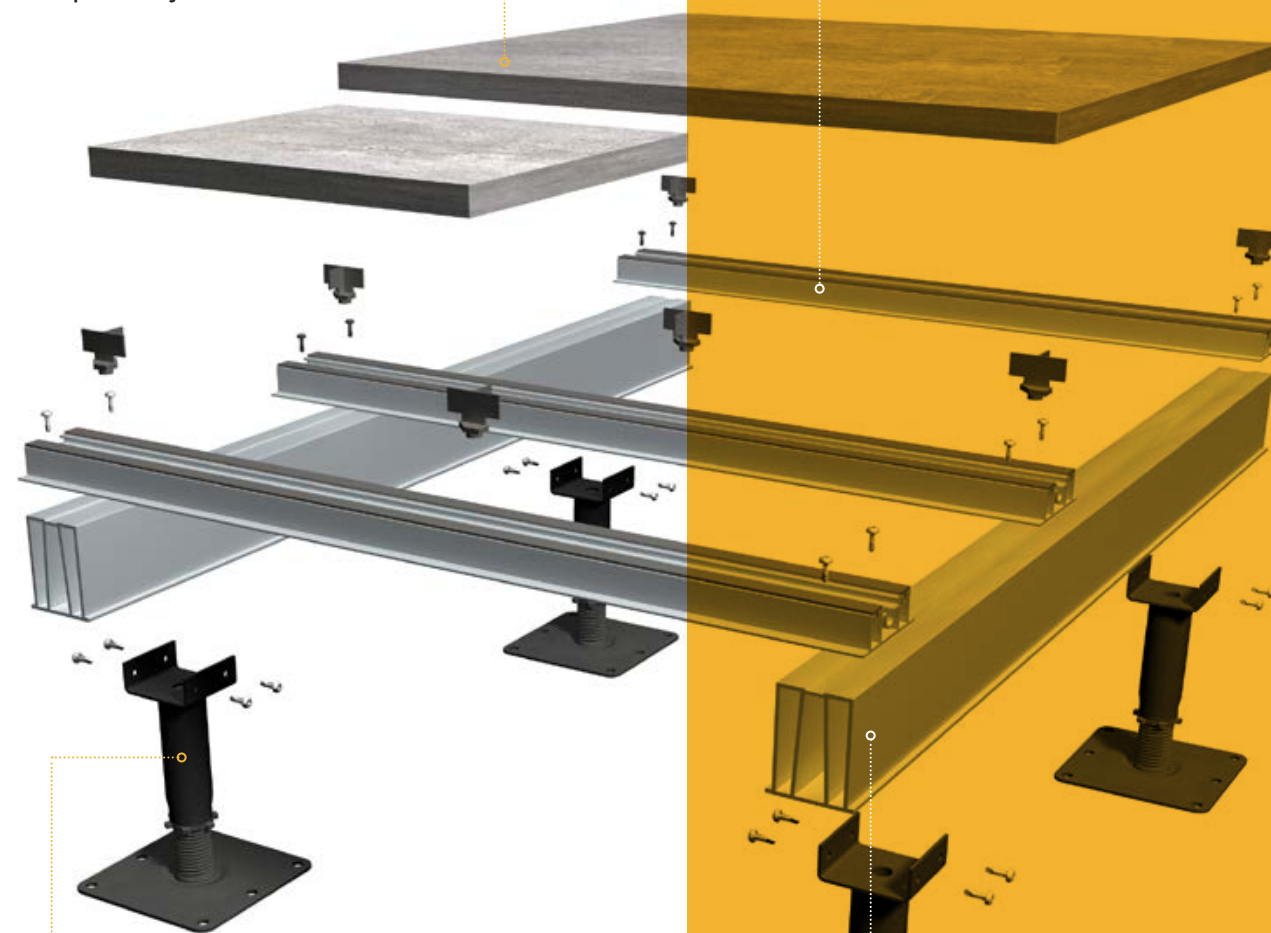
- Perfect for terraces, podiums, roof decks, balconies and gardens
- Great for projects with complex maintenance access requirements such as piping or services
- Allows rapid water drainage through the paving



Porcelain tiles

With two ranges available (Quadro and Albero) there's a finish for every application. Refer to page 28 for full range and technical data.

- Anti-slip and frost-proof
- Non-porous material: protected from staining and fading
- Requires very little maintenance



RD-FR Non-combustible support pedestal

Extremely strong support for joists, pedestals are fast and simple to install.

- Large height range available for every application
- Astec 3000 zinc-nickel electroplating protects pedestals from corrosion resistance
- Features locking ring for absolute stability
- Large flat base spreads weight evenly, protecting surface/membrane



Top rail

The 27mm top rail supports the lengths of slabs/tiles.

- Can be laid at any centre interval
- Features integrated EPDM gasket for effective shock-absorption
- Side flanges for robust fixing into lower joist



Lower joist

Allows the whole system to be bound together into a lattice format.

- Provides a totally stable platform for top rail and paving
- Available in multiple depths to suit various height build-up

Paving Spacers



Paving Spacers

Straight spacers, T-spacers and cross spacers available, in either 2mm or 4mm thickness

Innovative paving spacers insert into the top rail and are secured by twist-lock function, preventing the movement of slabs. Manufactured from robust glass-filled nylon.

Straight spacer

Cross spacer

T-spacer



Paving Stops



Paving Stops

End stop for end of top rail
Side stop for side of top rail

Hold paving in place to ensure no movement of slabs as a result of foot traffic. They fix into top rail around the perimeter with 13mm self-drilling screw.

Side stop

End stop



Technical Specifications

Allowable load

Uniformly distributed >4.0kN/m²
Concentrated 2kN

Allowable span

Top rail	600mm
Lower joist	600mm (RS25) 1200mm (RS60)

Biological/Chemical

Resistant to moulds, algae, alkali, bitumen, UV

Material

Rail and joist	Aluminium Alloy 6063 T6
Pedestals	Mild Steel with Zinc Nickel corrosion resistant finish
Paving spacers	Glass-filled nylon

Reaction to fire (EN ISO 13501-1:2018)

A1_{fl} and A1

Spacing

Top rail	To suit paving
Lower joist	600mm centres between joists
Pedestal	As per primary joist allowable spans (below)

Supplied lengths

3600mm (Top rail and Lower joist)

System Height

Porcelain tiles	20mm
Top rail	25mm rail, 2mm gasket
Lower joist	25mm (RS25), 60mm (RS60)
Support height	25mm-505m (see page 8)
System overall	55mm-1087mm

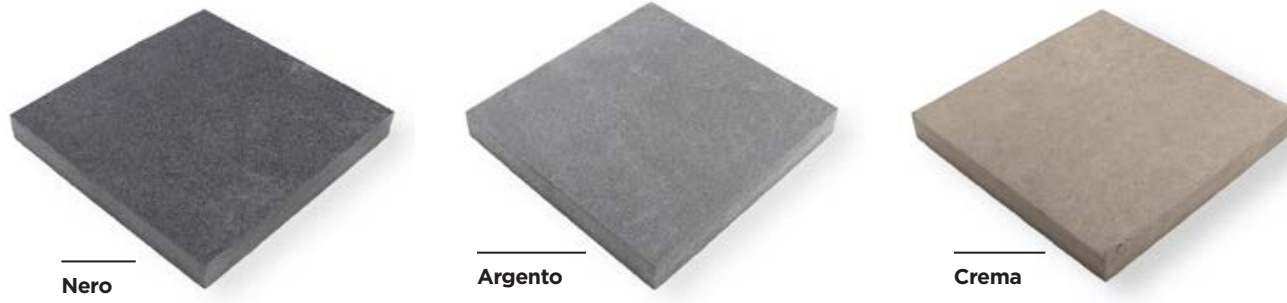
RynoTerracePave component quantity calculations

For help calculating the quantity of components you require or for any other guidance regarding your project, call Ryno on:

01358 726000

The Quadro range

For a contemporary, minimalist finish



The Albero range

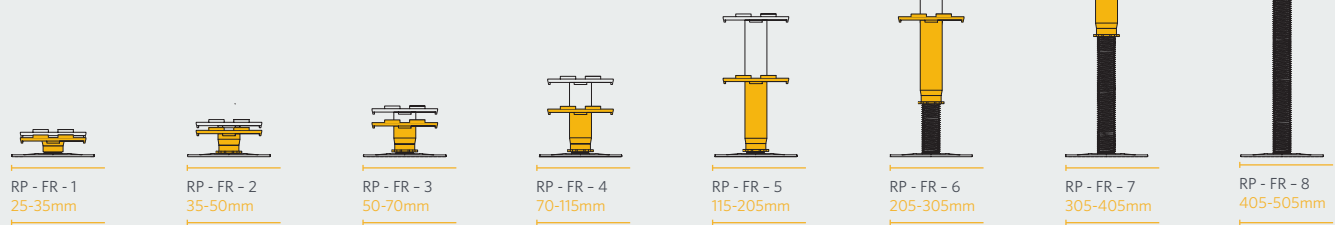
For a sleek, wood-grain finish



Pedestal size range

The vast height range of the RynoPaveSupport RP-FR adjustable paving support pedestal allows it to overcome very large changes in surface level, and also conceal services, ductwork and pipes beneath.

Note: PaveRail features the RD-FR pedestal, which has rigid bearer holder to accommodate joists (see page 6).



Technical Specifications

Biological/Chemical

Resistant to moulds, algae, alkali, bitumen

Height range (complete system)

45mm - 525mm

Paving slab dimensions

600 x 600 x 20mm

Pedestal compression

1000 kg
(certified compression data available on request)

Pedestal material

Astec 3000 zinc-nickel electroplated steel

Reaction to fire (EN ISO 13501-1:2018)

A1_{fl}

Slip resistance (Pendulum Test)

Quadro	Albero
PTV (Worst dry): 71 PTV (Worst wet): 60	PTV (Worst dry): 60 PTV (Worst wet): 48




Ryno Ltd.
CastlePoint
Castle Way, Ellon
AB41 9RG

01358 726000
sales@rynogroup.co.uk
rynogroup.co.uk

Part of the
Whitesales Group

RYNO  AluTerrace[™]

RYNO  TerraceDeck[™]

RYNO  TerracePave[™]